

AL230

ARTICULATED LOADER



KEY FEATURES

- 4-Post Open Canopy ROPS and FOPS Certified
- Front Auxillary Hydraulics w/ Flat-Faced Couplers
- Inching Pedal
- Digital Display with Audible and Visual Indicators
- Automotive Style Hydrostatic Drive
- Perkins Diesel Engine
- Deluxe, Tilttable Steering Column
- Multi-Function Joystick

AL230 ARTICULATED LOADER

SPECIFICATIONS

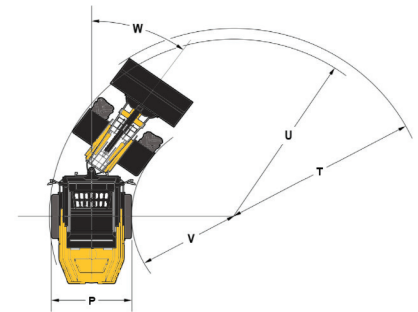
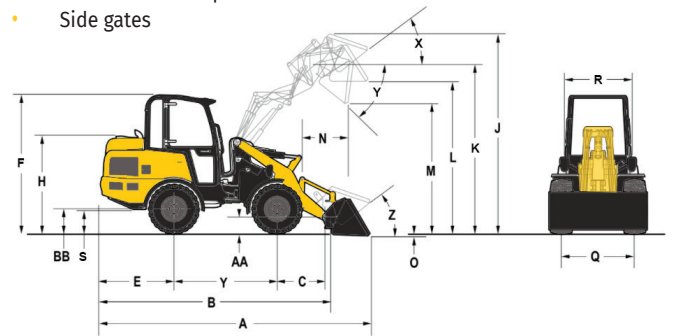
		IMPERIAL	METRIC	
DIMENSIONS	A	Overall Length w/ Bucket Level	142.8" 3627 mm	
	B	Overall Length - Less Bucket	115.3" 2928 mm	
	C	Front Wheel Center to Hinge Pin - Arm Down	23" 563 mm	
	D	Wheel Base	55.9" 1419 mm	
	E	Rear Overhang	31.5" 801 mm	
	F	Overall Height @ ROPS	84.3" 2140 mm	
	H	Height to Top of Hood	49.4" 1254 mm	
	J	Overall Operating Height - Fully Raised, Bucket Rolled Back	139.2" 3535 mm	
	K	Height to Hinge Pin - Fully Raised	107.7" 2736 mm	
	L	Ground Plane to Bucket Edge Height	99.1" 2515 mm	
	M	Dump Height - Fully Raised	79.1" 2008 mm	
	N	Dump Reach - Fully Raised	18.7" 475 mm	
	O	Digging Position (+Above Ground / -Below Ground)	1.8" 45 mm	
	P	Overall Width - Less Bucket	40.9" 1040 mm	
	Q	Track or Tread Width (Wheel Center)	33.4" 848 mm	
	R	Widest Fixed Point on Machine (ROPS width)	39.1" 991 mm	
	S	Ground Clearance	6.1" 153 mm	
	T	Clearance Radius - Front w/ Bucket @ Carry Position	105.6" 2681 mm	
	U	Clearance Radius - Less Bucket	88.6" 2251 mm	
	V	Clearance Radius - Inner	47.1" 1194 mm	
	W	Max Articulation Angle	45°	
	X	Maximum Rollback Angle - Fully Raised	45°	
	Y	Dump Angle - Fully Raised	41°	
	Z	Maximum Rollback Angle @ Ground	47°	
	AA	Quick-Attach Hinge Pin Ground Clearance (Pin Center)	7.6" 192 mm	
	BB	Height from Ground to Axle Center	5.7" 144 mm	
	CC	Bucket Width	43.3" 1100 mm	
	Maximum Oscillation Angle	10°		
CAPACITIES		Static Tipping Load with Bucket Straight	2238 lbs 1015 kg	
		Static Tipping Load with Bucket Full Turn	1907 lbs 865 kg	
		Static Tipping Load with Forks Straight	1631 lbs 740 kg	
		Static Tipping Load with Forks Full Turn	1389 lbs 630 kg	
		Bucket Breakout	3135 lbs 1422 kg	
		Transport Weight With Canopy	3836 lbs 1740 kg	
ENGINE		Engine Manufacturer	Perkins	
		Model / Number of Cylinders	403J-11 / 3	
		Power @ 2800 rpm	24.7 hp 18.4 kW	
		Maximum Torque / Engine Rotation @ 2100 rpm	49.3 ft/lbs 66.8 Nm	
HYDRAULICS		Work Hydraulic System Flow	7.9 gpm 30 lpm	
		Drive Hydraulic System Pressure	3002 psi 207 bar	
OTHER		Travel Speeds	12.4 / 17.5 mph 20 / 28 km/hr	
		Fuel Tank Capacity	7.9 gal 30 L	
		Tires	US 33 x 15.5 - 16.5 EU 15.0 x 55 - 17	

STANDARD FEATURES

- Automotive Style Hydrostatic Drive
- Counterweight
- Front/Rear Tie Downs
- Steering/Frame Transport Lock
- Deluxe Instrument Panel
- Battery Disconnect
- Perkins Diesel Engine
- Lockable Engine Cover
- Radiator/Hydraulic Cooler - Side By Side
- Front Auxillary Hydraulics w/ Flat-Faced Couplers
- Adjustable Seat - 5-Way
- Adjustable Seat Belt 2 in. (50 mm)
- Braking/Inching Pedal
- Deluxe, Tilttable Steering Column
- Horn
- Multi-Function Joystick

OPTIONAL FEATURES

- Cabin with Heat
- Air suspension seat
- LED Work Lights
- LED Road Lights
- Different wheel options
- Side gates



GEHL COMPACT EQUIPMENT

West Bend, WI 53095 U.S.A. | Tel: 262-334-9461 | Fax: 262-338-7517

GEHL Company reminds users to read and understand the operator's manual before operating any equipment. Also, make sure all safety devices and shields are in place and functioning properly.

GEHL reserves the right to add improvements or make changes in specifications at any time without notice or obligation.